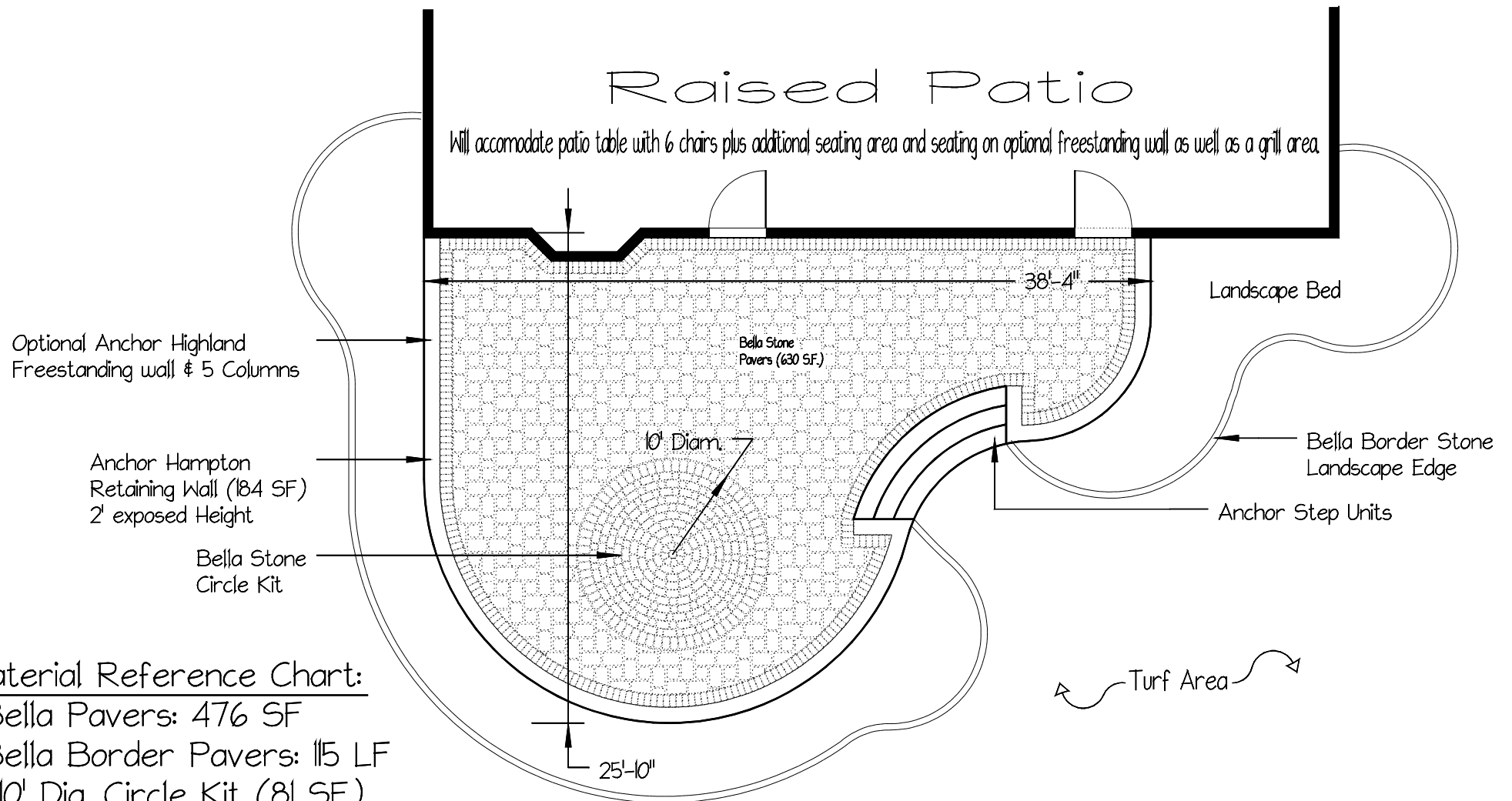


# Raised Patio

Will accommodate patio table with 6 chairs plus additional seating area and seating on optional freestanding wall as well as a grill area.



Optional Anchor Highland Freestanding wall & 5 Columns

Anchor Hampton Retaining Wall (184 SF)  
2' exposed Height

Bella Stone Circle Kit

Bella Stone Pavers (630 SF)

10' Diam.

Landscape Bed

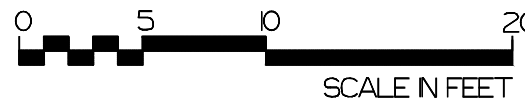
Bella Border Stone Landscape Edge

Anchor Step Units

Turf Area

## Material Reference Chart:

- Bella Pavers: 476 SF
- Bella Border Pavers: 115 LF
- 1 10' Dia. Circle Kit (81 SF)
- Hampton Retaining Wall: 184 SF
- Anchor Step Units: 30
- Wall Caps: 65
- Bella Border Stone Edge: 121 LF
- Optional Anchor Freestanding Wall
- Freestanding wall: 110 SF
- Five columns: 100 column units
- Ex. Large Caps: 40



<b>Hardscape STL</b> .com		
client: <b>#=8-0*</b>	date:	revision:
drawn by:	checked by:	drawing #: